

RELIEF VALVES

H-900 SERIES



FEATURES

- H-900 is available as CE/PED products
- 316 St.St. Construction
- Service 10-225 psi
- One spring for all set pressure range
- Available in all pipe threads and LET-LOK® connectors
- Sizes: 1/4" or 6mm

GENERAL

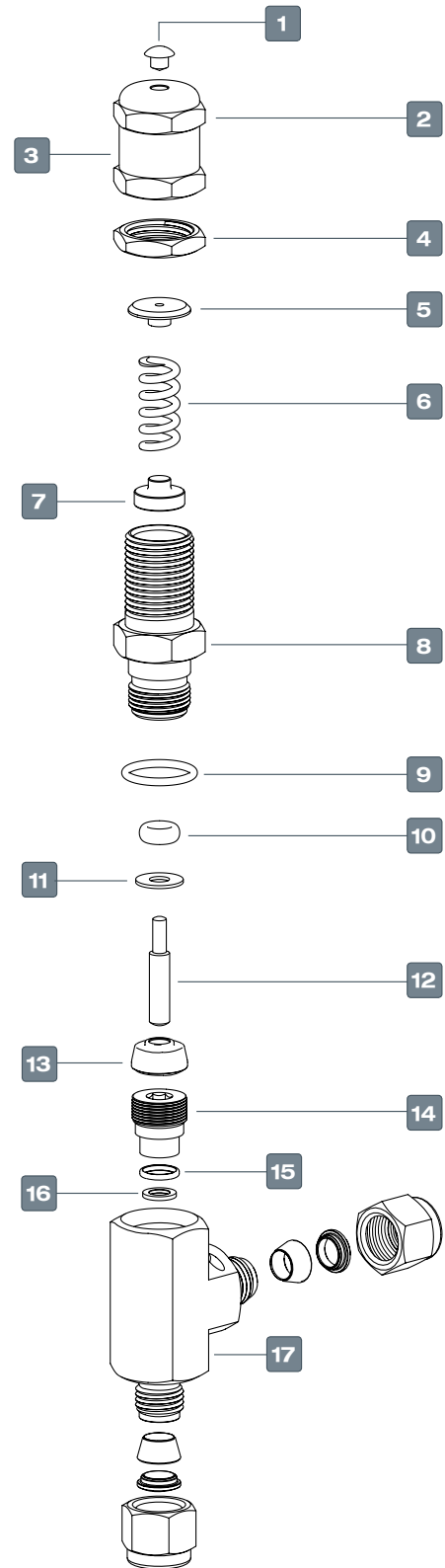
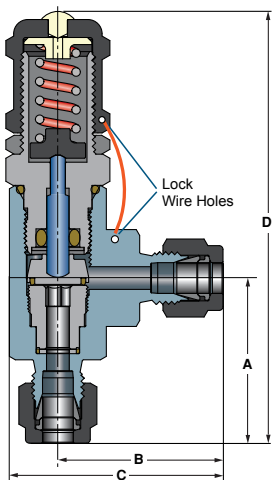
The H-900 series is a relief valve for low pressure service. The valve is normally closed. It will open when the system pressure reaches the set level. It will re-close when the system pressure falls below the set level.

MATERIALS OF CONSTRUCTION

Item No.	Components	Qty.	Valve Body Material
1	Cap Plug	1	Polypropylene
2	Adjustment Cap	1	St.St. 316
3	Cap Lable	1	Polyester
4	Locking Nut	1	St.St. 316
5	Upper Spring Button	1	St.St. 316
6	Spring	1	St.St. 302
7	Lower Spring Button	1	St.St. 316
8	Bonnet	1	St.St. 316
9	O-ring	1	Fluorocarbon FKM
10	O-ring	1	Fluorocarbon FKM
11	Retaining Ring	1	PH15 - 7 Mo
12	Stem	1	St.St. 316
13	Bonded Poppet	1	St.St. 316 Bonded with Fluorocarbon FKM
14	Insert	1	St.St. 316
15	Packing	1	PTFE
16	Ring	1	St.St. 316
17	Body	1	St.St. 316

STANDARD CONFIGURATION DIMENSIONS

Description	Connection / size		Orifice		Dimensions							
	Inlet	Outlet			A		B		C		D	
			mm	inch	mm	inch	mm	inch	mm	inch	mm	inch
H-900	1/4 LET-LOK®	1/4 LET-LOK®	4.8	0.19	37	1.45	39	1.53	50	1.97	96	3.78
H-900	6MM LET-LOK®	6MM LET-LOK®			37	1.45	39	1.53	50	1.97	96	3.78
H-985	1/4 Male NPT	1/4 Female NPT			32	1.26	30	1.18	40	1.57	88.6	3.49
H-995	1/4 Male NPT	1/4 LET-LOK®			32	1.26	39	1.53	50	1.97	88.6	3.49



CLEANING & PACKAGING

Every H-900 series Relief valve is cleaned in accordance with Standard Cleaning and Packaging (procedure 8184). Oxygen Clean & Lubricant Free Cleaning and packaging, in accordance with Special Cleaning and Packaging (procedure 8185), is available as an option.

TESTING

The HAM-LET H-900 Relief Valve designs have been tested for Proof and Burst.

Every H-900 Relief Valve is factory tested for proper set and resealing performance.

SETTING AND RESEALING PRESSURE

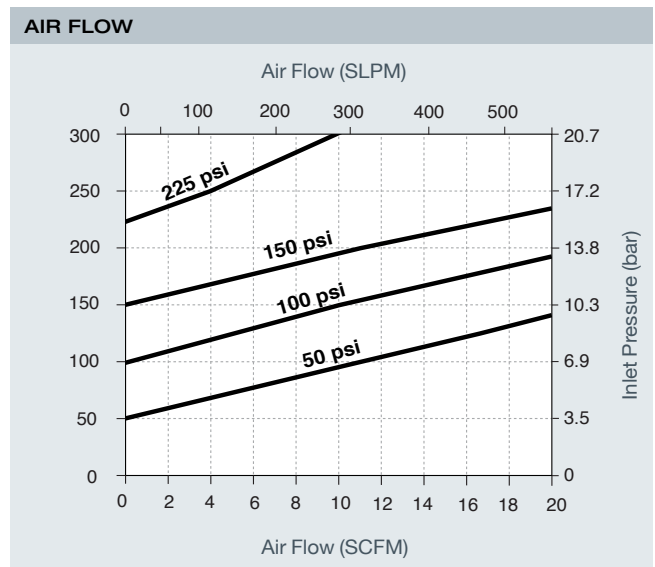
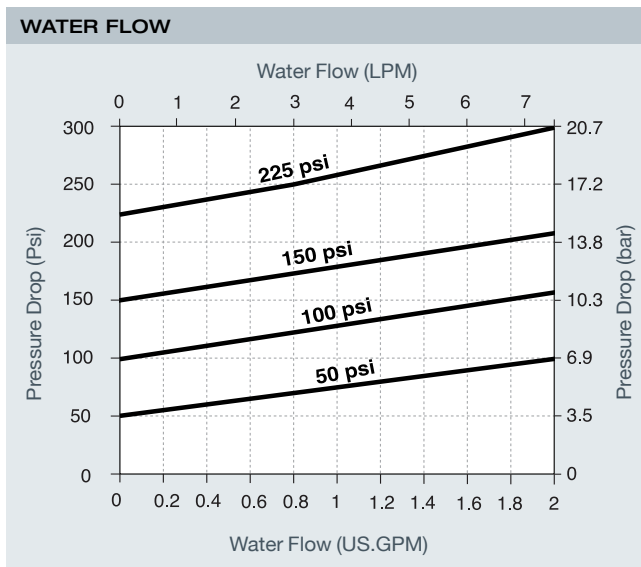
- Upstream set pressure is the first indicator of flow process. Every pressure relief after the first indication is repeatable within a deviation of 5% at room temperature.
- Blocked upstream set pressure is the first indicator of a stopped flow process and is always lower than the set pressure.
- Calculation of set pressure valve design demands back pressure consideration as the system back pressure increases the set pressure.
To balance the system, the back pressure must be multiplied by 0.8 and the result shall be subtracted from the required set pressure.

PRESSURE TEMPERATURE RATING				
Series	H-900 Size: 1/4"			
Seal Material	Fluorocarbon FKM	Buna N	Polychloroprene (CR)	EPDM
TEMP °C (°F)	MAX SET PRESSURE psig (bar)			
-40 (-40)	-	-	-	225 (15.5)
-34 (-30)	-	-	-	
-23 (-10)	-	-	-	
-18 (0)	225 (15.5)	225 (15.5)	225 (15.5)	
-12 (10)				
-4 (25)				
-1 (30)				
10 (50)				
65 (150)				
93 (200)	-	-	-	
121 (250)	-	-	-	
135 (275)	-	-	-	
148 (300)	-	-	-	

FLOW DATA AT 70°F (20°C)

Orifice in fully open mode is 4.8mm (0.19 inch)

SPRING 10-225psig



APPLICATIONS

H-900 relief valves gradually open when pressure increases. As such, they are not certified to ASME due to not having capacity rating at a given pressure rise (accumulation).

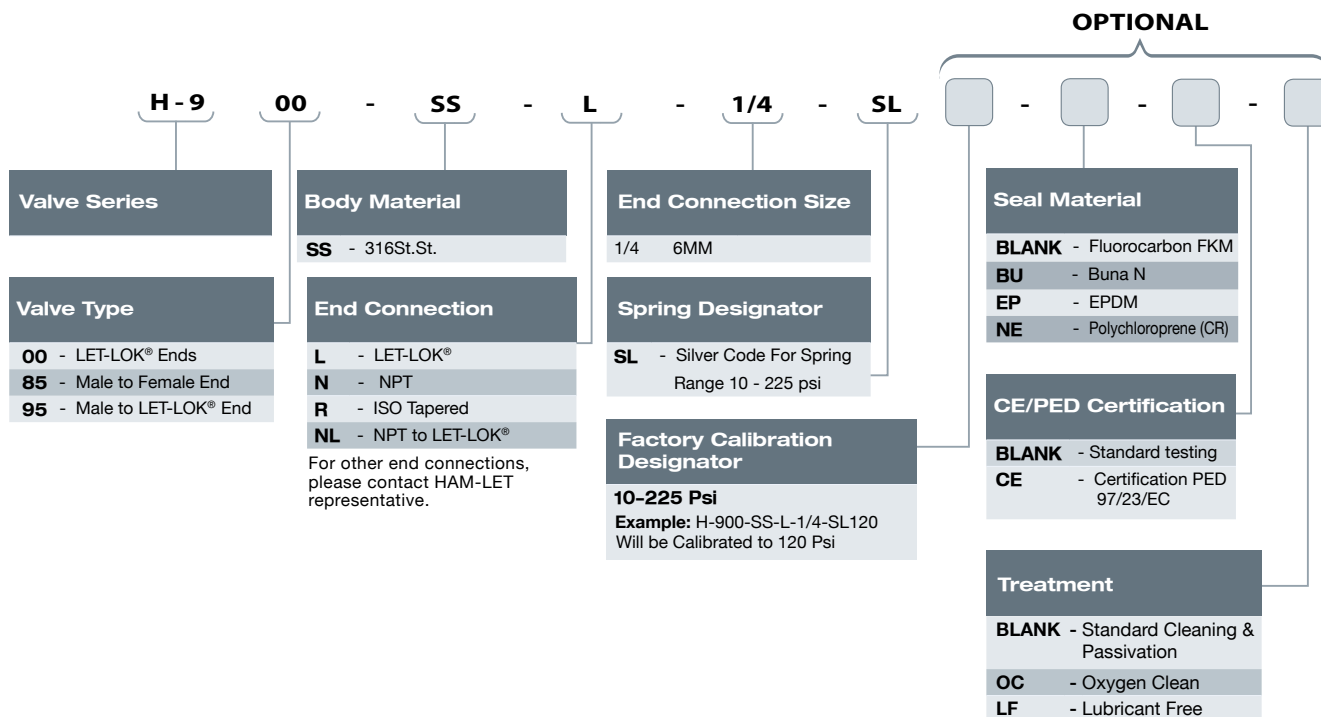
OPERATION

H-900 relief valves open when the system pressure gets to the set pressure and close when the system pressure drops below the set pressure.

Warning

- Valves that were not actuated for some time may contain pressure higher than the set pressure.
- System designer and users shall determine what system applications require using relief valves to meet specific safety codes and which valves conform to such codes.

H-900 SERIES ORDERING INFORMATION



ORDERING INFORMATION FOR SPARE KITS

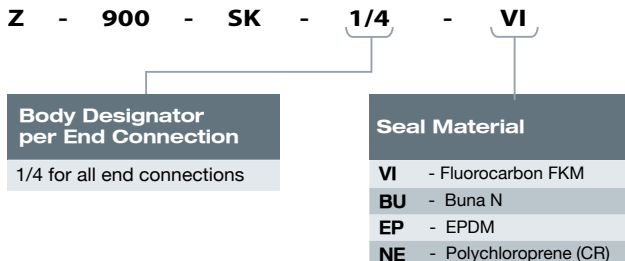
SPRING KIT

Includes: Spring, Label, Wire and Lock



SEAL KIT

Includes: O-rings, Bonded Poppet and Label



For oxygen applications work shall be carried out according to procedures for working with oxygen. In case spare kits are ordered for oxygen clean valves, such kits have to be ordered as oxygen clean by adding "-OC" designator. Example: Z-900-SK-1/4-VI-OC

Warning!

The system designer and user have the sole responsibility for selecting products suitable for their special application requirements, ensuring their safe and trouble-free installation, operation, and maintenance. Application details, material compatibility and product ratings should all be considered for each selected product. Improper selection, installation or use of products can cause property damage or personal injury.

H-900, Rev.10, January 2014