

# TOGGLE VALVES

H-1200 SERIES



**FEATURES**

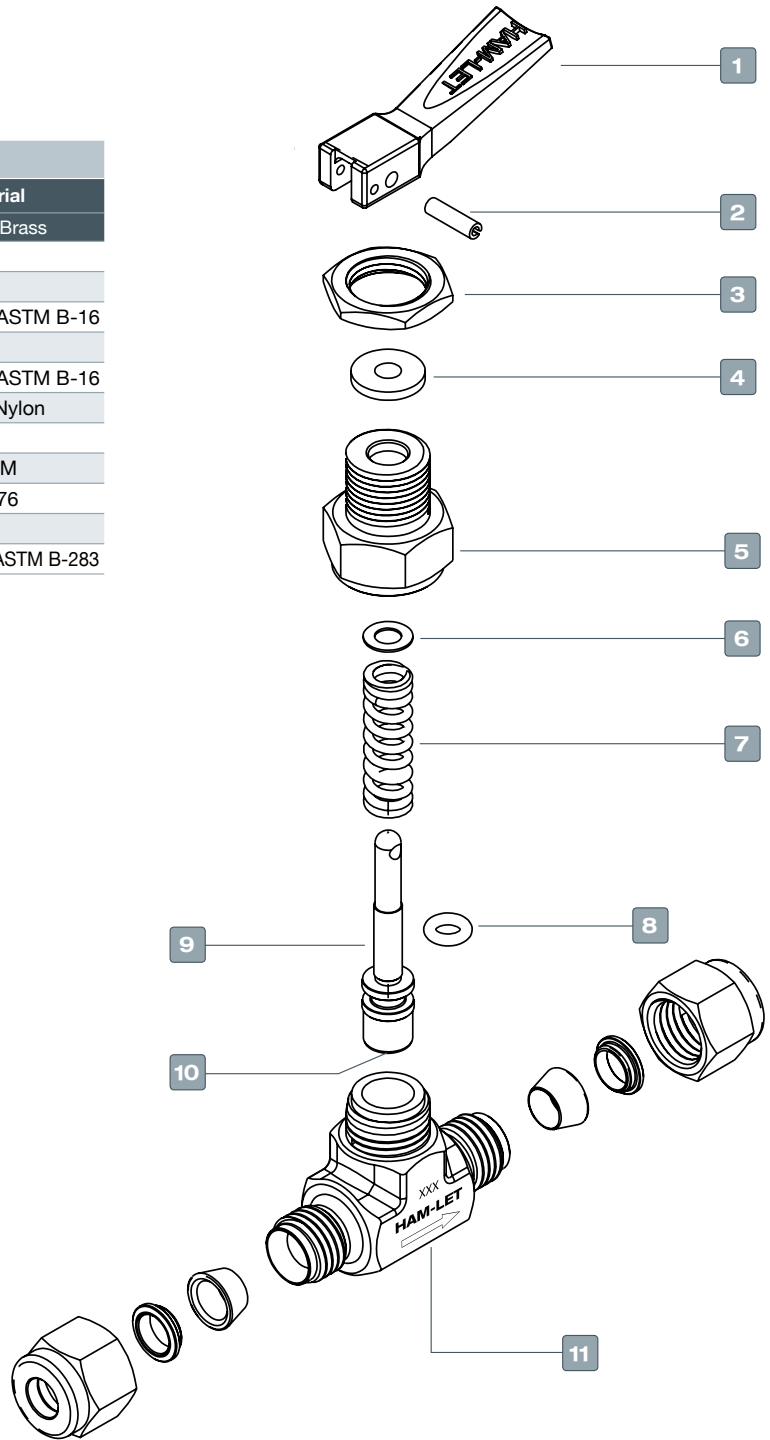
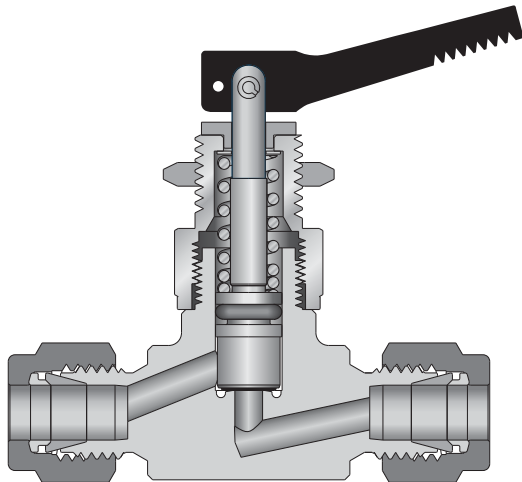
- Compact rugged design
- Stainless Steel and Brass Construction
- Panel mountable
- Quick On/Off service
- Straight and angle patterns available
- Sizes: 1/8" & 1/4"
- LET-LOK , male and female NPT ends
- MAWP 300 psig at 20°C (70°F)
- Temperature rating: -20°F to 200°F (-28°C to 93°C)
- Flow coefficient (Cv) 0.11 to 0.2
- Colored Nylon Handles

**GENERAL**

The H-1200 Series standard toggle valve is a compact design for normally closed and quick on/off service. Moving the handle 90 degrees upwards opens the valve to full flow and stops it firmly in the open position. Shifting the handle position downwards shuts off the valve by spring return. The PTFE soft seat at the tip of the stem provides a positive repetitive seal.

**MATERIALS OF CONSTRUCTION**

Item	Components	Qty.	Valve Body Material	
			316 St.St.	Brass
1	Handle	1	Nylon	
2	Roll Pin	1	St.St. 420 SS	
3	Panel Nut	1	St.St. ASTM A-276	Brass ASTM B-16
4	Washer	1	Nylon	
5	Packing Nut	1	St.St. ASTM A-276	Brass ASTM B-16
6	Thrust Washer	1	N/A	Nylon
7	Spring	1	302SS / A313	
8	O-ring	1	Fluorocarbon FKM	
9	Stem	1	St.St. ASTM A-276	
10	Stem Seat	1	PTFE	
11	Body	1	St.St. ASTM A-182	Brass ASTM B-283

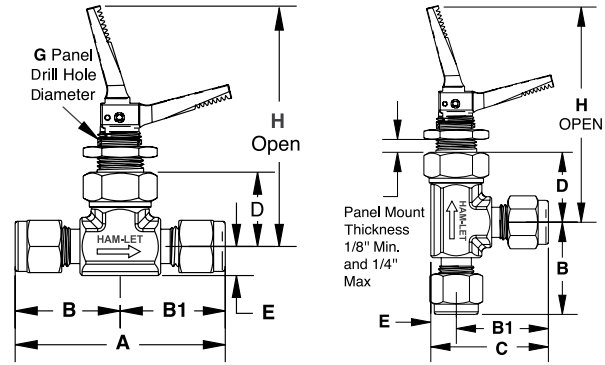


## TESTING

All H-1200 Series designs have been tested and approved for Burst and Proof. All valves are factory tested with Nitrogen pressure at 300 psig (20.7 bar) for shell, stem and across-the-seat leak detection. Each valve is tested for leak tight performance.

## CLEANING & PACKAGING

Every H-1200 series needle valve is cleaned in accordance with Standard Cleaning and Packaging (procedure 8184). Oxygen Clean & Lubricant Free Cleaning and packaging, in accordance with Special Cleaning and Packaging (procedure 8185), is available as an option.



### STANDARD CONFIGURATION DIMENSIONS

End connection		Cv	Orifice		A		B		B1		C		D		E		G		H (Open)	
Type	Size		mm	in	mm	in	mm	in	mm	in	mm	in	mm	in	mm	in	mm	in	mm	in
Female NPT	1/8	0.20	3.28	0.13	41.2	1.66	20.6	0.81	20.6	0.81	N/A	N/A	21.8	0.85	7.95	0.31	13.5	0.53	65.5	2.57
Male NPT	1/8	0.11	2.50	0.10	43.7	1.72	21.8	0.86	21.9	0.86	29.7	1.17								
Male NPT	1/4	0.20	3.28	0.13	49.8	1.96	24.9	0.98	24.9	0.98	32.8	1.29								
Let-Lok®	1/8	0.11	2.30	0.09	49.8	1.96	24.9	0.98	24.9	0.98	32.8	1.29								
Let-Lok®	1/4	0.20	3.28	0.13	57.4	2.26	28.7	1.13	28.7	1.13	36.5	1.44								
Male to Let-Lok®	1/4	0.20	3.28	0.13	53.6	2.11	24.9	0.98	28.7	1.13	32.8	1.29								

### H-1200 SERIES ORDERING INFORMATION

**H - 12 00 - SS - N - 1/8 - A - - - - -**

**Valve Series**  
H - 12 00

**Body Material**  
SS - 316 SS  
B - Brass

**Size Designator**  
3 mm 1/8  
6 mm 1/4

**Handle Type**  
BLANK - Black Nylon Handle  
RH - Red Nylon Handle  
BH - Blue Nylon Handle  
YH - Yellow Nylon Handle  
GH - Green Nylon Handle  
OH - Orange Nylon Handle

**End Connection**  
L - LET-LOK®  
N - NPT

**Pattern Designator**  
BLANK - Straight  
A - Angle

**O-ring Material**  
BU - Buna N  
EP - EPDM  
NE - Polychloroprene (CR)  
KZ - Perfluor  
Fluorocarbon FKM O-ring is standard

**Treatment**  
BLANK - Standard Cleaning & Passivation  
OC - Oxygen Clean  
LF - Lubricant Free

**SEAL KIT**

**Z - 1200 - SK - 1/4 - VI**

**Body Designator per End Connection**  
1/4 for all ends connections

**O-ring Material**  
VI - Fluorocarbon FKM  
BU - Buna N  
EP - EPDM  
NE - Polychloroprene (CR)  
KZ - Perfluor

**HANDLE KIT**

**Z - 1200 - HK - 1/4 - S**

**Body Designator per End Connection**  
1/4 for all ends connections

**Handle Type**  
S - Black Nylon Handle  
R - Red Nylon Handle  
B - Blue Nylon Handle  
Y - Yellow Nylon Handle  
G - Green Nylon Handle  
O - Orange Nylon Handle

### Warning!

The system designer and user have the sole responsibility for selecting products suitable for their special application requirements, ensuring their safe and trouble-free installation, operation, and maintenance. Application details, material compatibility and product ratings should all be considered for each selected product. Improper selection, installation or use of products can cause property damage or personal injury.

H-1200, Rev.09, January 2014

